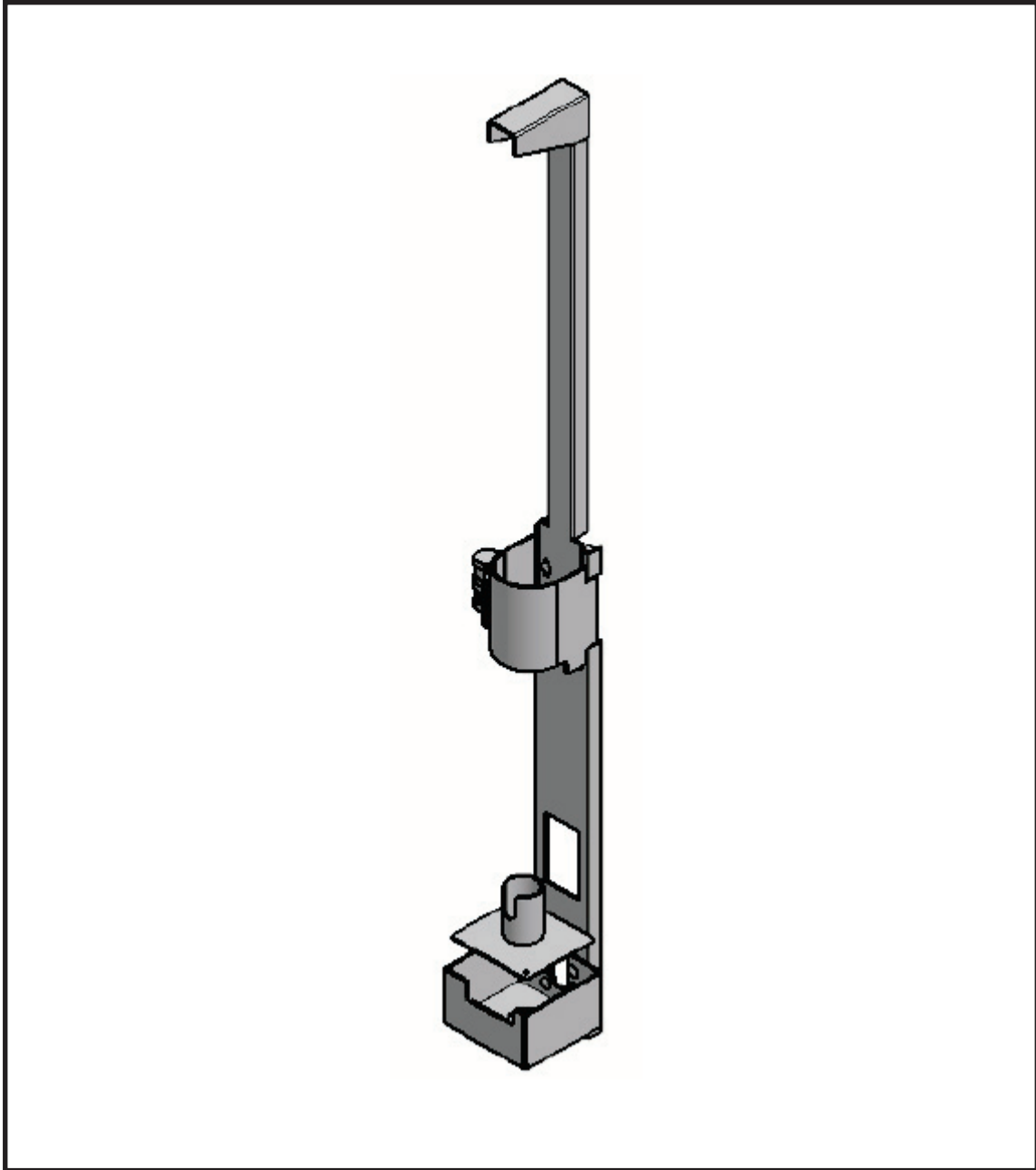


# TUFLOC

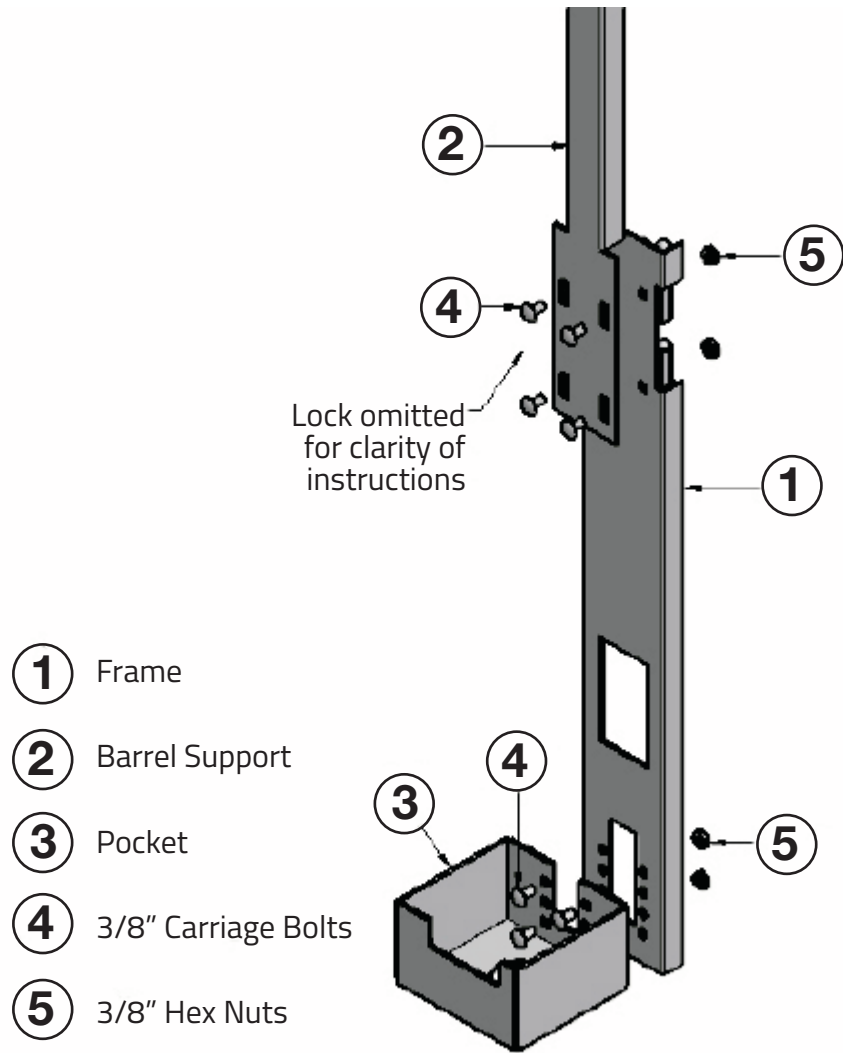
## INSTALLATION INSTRUCTIONS

### 50 Caliber Single Gun Mount



Congratulations and thank you for your recent purchase of the TUFLOC 50 Caliber single gun mount system. Esmet, Inc. has designed and manufactured the highest quality products for over sixty-five years and we are confident that you will be a satisfied Tufloc product owner. This manual includes simple step-by-step instructions to install, operate and maintain your gun rack. Please contact the factory if you have any installation or operation questions.

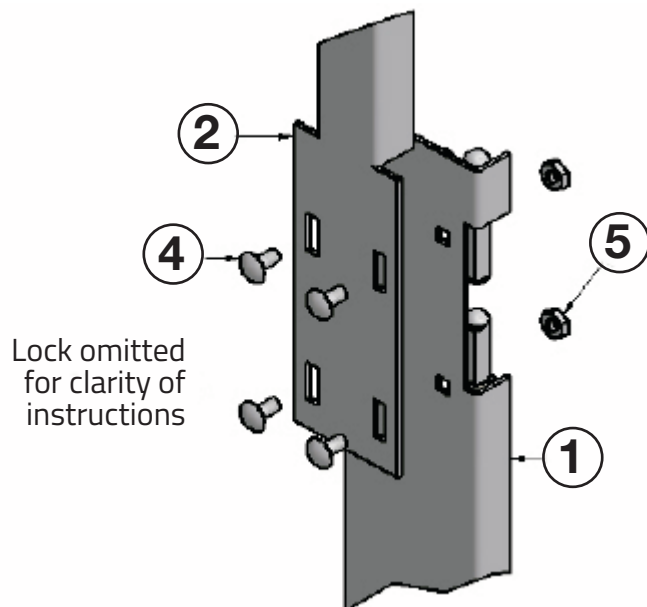
## Detail of Parts



## Installation Steps

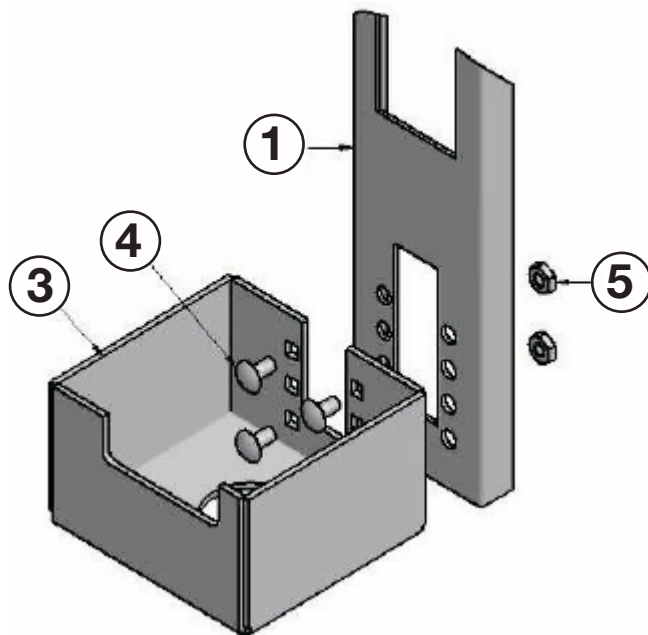
### Step 1: Installation of Barrel Support to Frame

Place barrel support on top of frame, align holes and insert the 3/8" carriage bolts thru each slot, place nuts on backside of frame and finger-tighten. (See detail below)



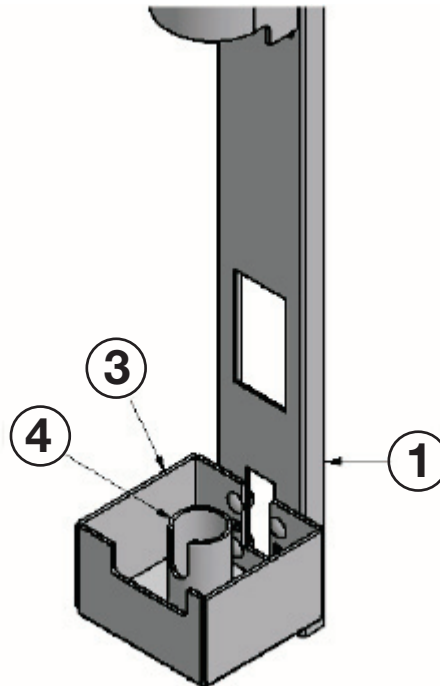
### Step 2: Installation of Pocket to Frame

Place pocket against frame and align holes. Install the 3/8" carriage bolts thru each hole, place nuts on backside of frame and finger-tighten. (See detail below) To secure weapons without handles, lower the pocket to second set of bolt holes and use pocket spacer if required to support the end of the weapon (See Step 3).



### Step 3: Installation of Pocket Spacer

Place the pocket spacer into the pocket with the groove in spacer pointing away from frame. Pocket spacer is used only when handles of weapon are not used. Pocket spacers are not bolted down. (See detail below).



### Step 4: Test Fit and Final Mounting

Place the weapon in the rack. If weapon does not fit properly, adjust barrel support or move pocket down to lower holes and re-attach components. If rack holds the weapon securely then tighten fasteners on both the barrel support and the pocket. The rack can be attached using the slot in the top portion of the barrel support and by using the additional holes thru frame in bottom of rack.

### Mounting Instructions

1. Place weapon into rack and adjust the locking head for the most secure fit. (Adjustments can be made by loosening the three bolts behind the mounting channel.) A secure fit is established when the locking head is as tight to the top of the magazine tube but still allows the weapon to pivot in and out of locking head. If your weapon has an extended tube simply remove the foam insert.
2. Determine the most ideal, secure area to mount the rack. (All hardware to be supplied by end user).
3. Mount rack through the two square mounting holes in the channel with 3/8" fasteners (Lag screws or carriage bolts).

### Maintenance

TUFLOC products are designed to provide years of reliable service with minimum maintenance. Occasionally clean the central bolt of the lock using Medeco cleaner.

## How to Lubricate Lock Cylinders:

Lock cylinders should be cleaned with Medeco Key Lube. Locks that are dirty or oily should be cleaned with an electrical contact cleaner such as the one made by LPS or those available at most Electronic stores. Extremely dirty or oily locks may have to be completely disassembled as part of the cleaning procedure. It is recommended that only Medeco Factory Certified Locksmiths take apart Medeco cylinders.

- Shake can well and with opening on white nozzle pointing away from face, insert the red plastic spray tube into the end of the white nozzle.
- Place the red plastic spray tube against the keyhole and press down on the white nozzle using three, one second bursts of spray.
- Allow the lubricant to penetrate the cylinder 10 seconds before inserting the key. Wipe the face of the cylinder with a rag if over-spray coats the face of the lock.

## Warranty

TUFLOC warrants its products against defects in materials and/or workmanship for one year after purchase. This warranty is limited to replacement or repair of the product only. No other warranties are expressed or implied. Please contact the factory for warranty claims before returning any product.

## Additional Information

Additional keys & replacement of the central bolt assemblies can be ordered from Tufloc by using the Identification Key Tag attached to the Medeco keys during initial shipment (Identification Key Tags should be permanently retained). Fasteners for attaching the rack to wall or other structure are not included.

## Technical Help

TUFLOC will gladly answer any questions regarding the installation of your rack. Please call our toll free number at 1-800-321-0870 and ask for technical assistance. We can also be contacted by e-mail: [info@esmet.com](mailto:info@esmet.com).