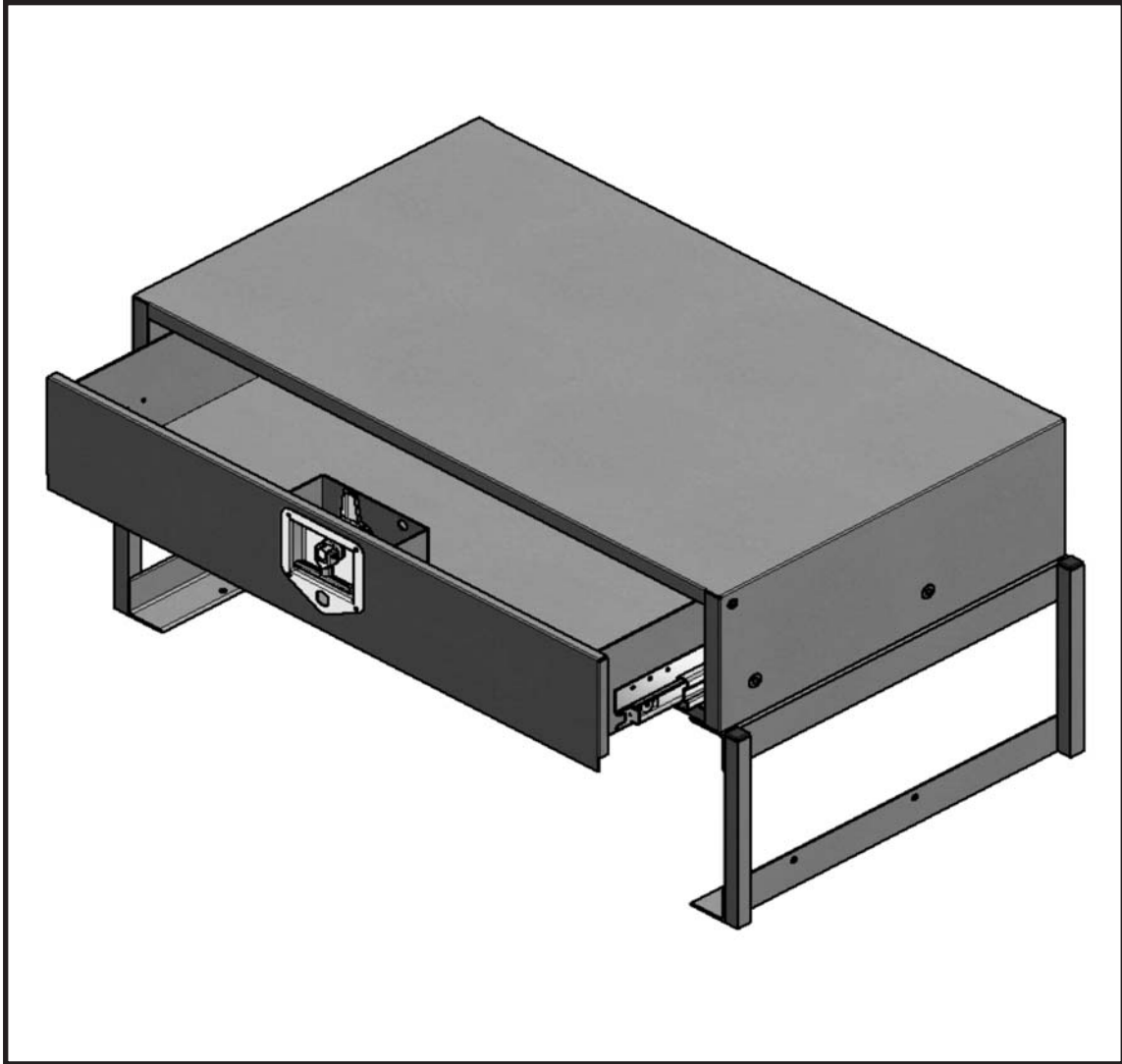


TUFLOC

INSTALLATION INSTRUCTIONS

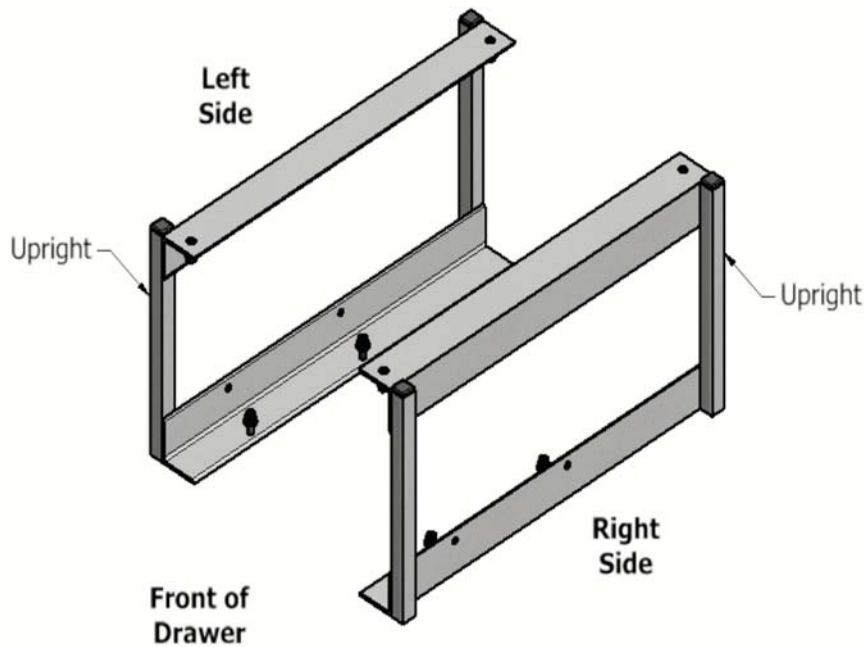
Impala TufBox



Warranty

Thank you for purchasing the TufBox manufactured by TUFLOC. We have worked hard to develop the best storage box on the market and warrant this product for one year from date of purchase against defects in materials and workmanship. This warranty is limited to replacement or repair of the product only. No other warranties are expressed or implied. Please contact the factory for warranty claims before returning any product.

Base Kit Components



Hardware Supplied



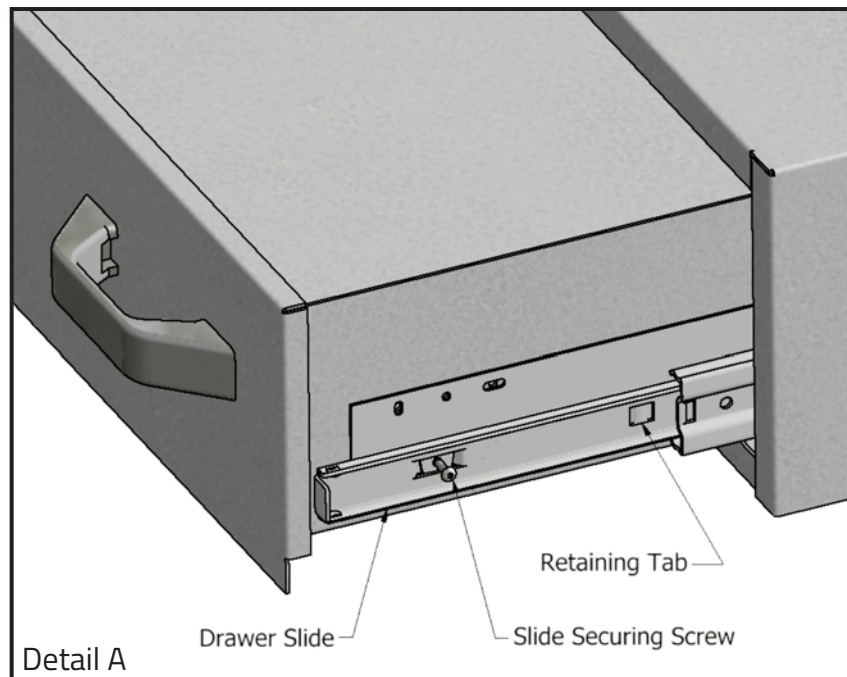
(4) 1/4 Hex.
Bolts



(4) Self Tapping
Screws

Prior to Installation

- Remove the drawer from the cabinet by removing the Slide Securing Screws located on each side of the drawer. Next, while pressing in on the Retaining Tabs located on the sides of the drawer, lift up on the front of the drawer, removing it from the tabs and pull it away from the cabinet. (See Detail A below)
- It may be necessary to remove contents that are stored in or around the mounting footprint of the TufBox as these components may not be accessible after installation.

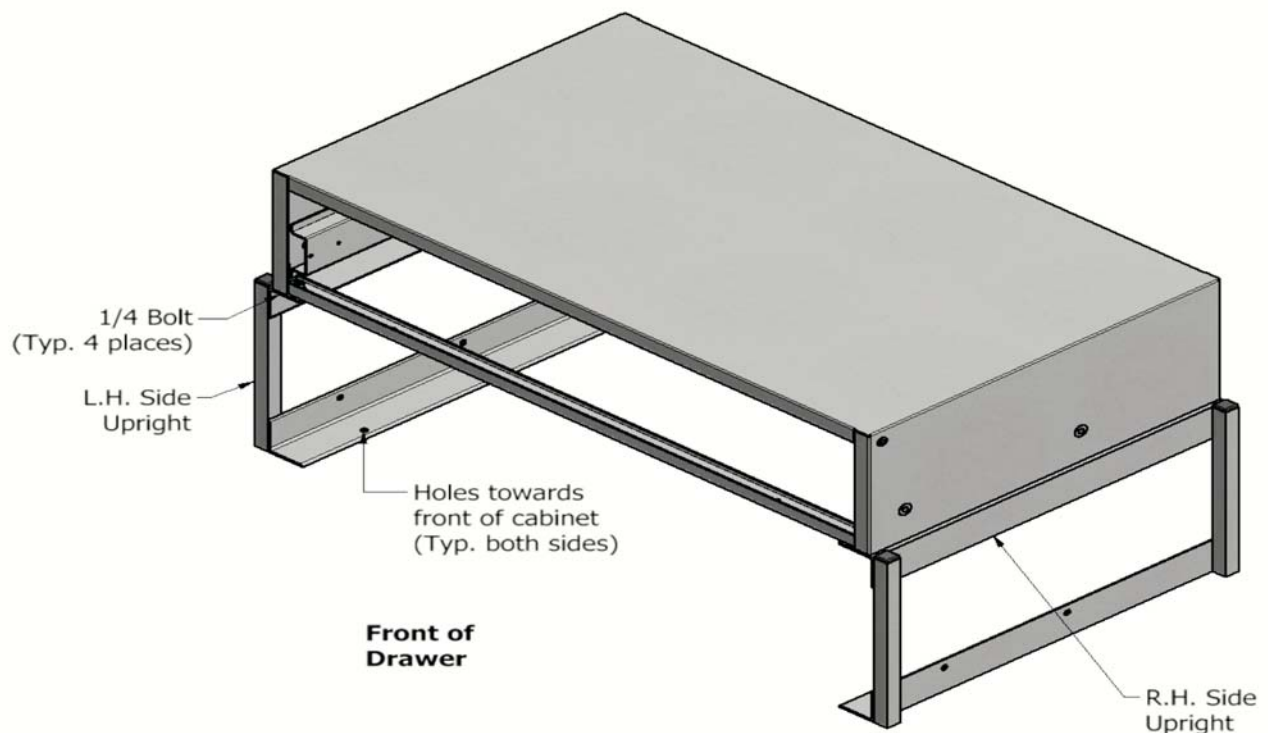


Secure the Uprights to the TufBox

- Attach the left and right uprights to the rear of the cabinet using 1/4" bolts. Attach to the rear mounting holes only. Swing uprights inward. (See diagram below)

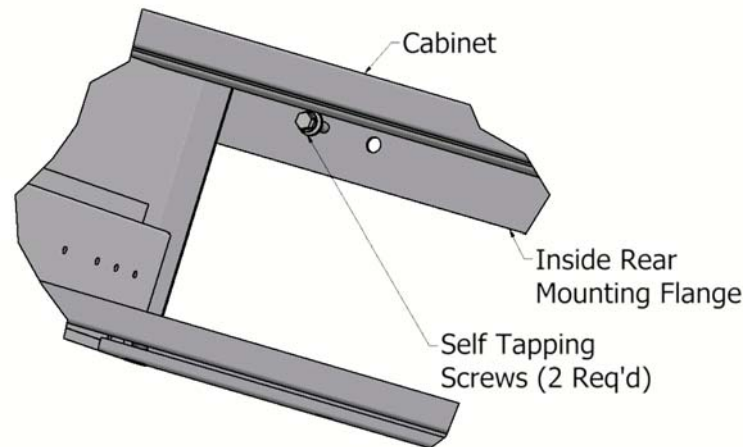


- Slide the cabinet assembly all the way to the back of the trunk compartment and position the assembly between the wheel wells. Swing the uprights outward and attach them to both sides of the front of the cabinet using 1/4" bolts. (See Diagram below)



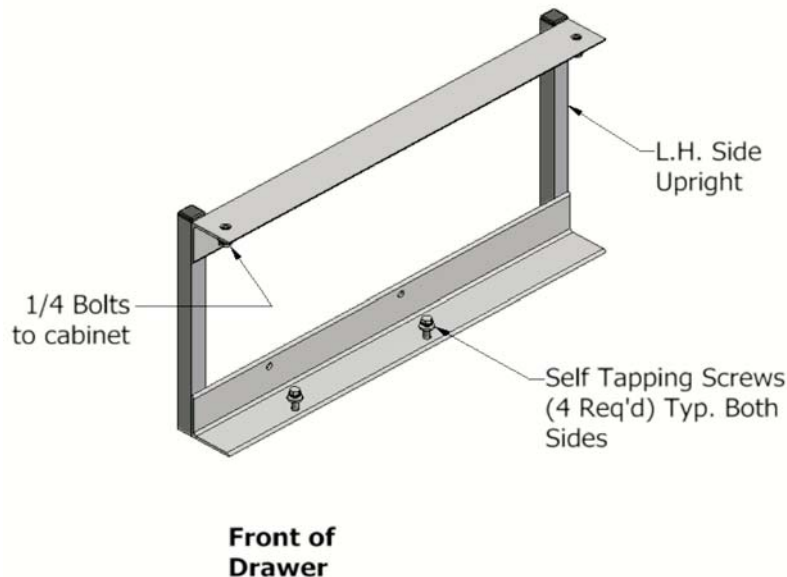
Secure the TufBox to Vehicle

- Locate the four holes on the back panel inside the cabinet assembly. Mount the cabinet assembly to back metal framework vehicle, using at least two of the self-tapping screws supplied. (See diagram below. Uprights have been omitted for clarity.)



Secure the TufBox to Floor

- Locate the two holes on the bottom of the uprights and use the self-tapping screws to secure them to the trunk floor. **Because of the gas tank location, wiring, hoses, etc, it is recommended that there be no additional drilling in the mounting zones.** (See diagram below. The drawer has been omitted for clarity.)



Place Drawer into the Cabinet

Place the drawer back into the cabinet by extending the drawer slides and snapping the rails on the Retaining Tabs. You may need an assistant to help align the tabs over the drawer slides. Install the Slide Securing Screws on each side of the Drawer. (See Detail A on Page 2)

Make Sure the Drawer Functions Properly

Open & close the cabinet drawer to make the sure the drawer is firmly attached to the slides. If the drawer is not firmly attached, remove the drawer, bend the silver tabs outward and replace the drawer.

Maintenance

- These drawers are intended to hold a maximum weight of 200 lbs. Do not exceed the drawer weight limit. Exceeding the weight limit can make the drawer difficult to operate and can shorten the life of the bearings in the drawer slides.
- The TufBox is designed to provide years of reliable service with minimal maintenance. Occasionally, coat the key with a light petroleum-based lubricant such as WD-40 and insert the key into the lock & turn a few times to lubricate the lock cylinder. NEVER use a graphite based oil. The drawer slides should also be lubricated periodically to assure longer life.
- Standard T-Handle: An adjustable cam can be adjusted to keep the drawer tight and eliminate rattle. (See diagrams below)
- Premium T-Handle: An adjustable roller can be adjusted to keep the drawer tight and eliminate rattle. (See diagrams at left). The Premium T-Handle has the ability for additional security to have a padlock added to the handle (Supplied by others).
- Combination Lock: Please refer to enclosed instruction booklet.

