

# TUFLOC

## INSTALLATION INSTRUCTIONS

### Lockers and Lockboxes



---

**Congratulations and thank you for your recent purchase of the TUFLOC Seat Organizers. Esmet, Inc. has designed and manufactured the highest quality products for over sixty-five years and we are confident that you will be a satisfied Tufloc product owner.**

**This manual includes simple step-by-step instructions to install, operate and maintain your Seat Organizers. Please contact the factory if you have any installation or operation questions.**

## General

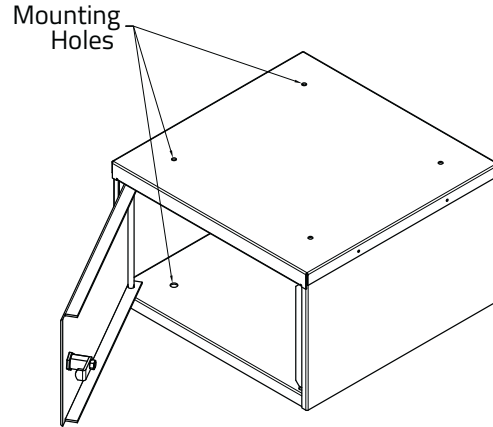
Due to the infinite mounting configurations, locations and surfaces, fasteners are not supplied.

Lockers and Lockboxes are not designed to be free-standing structures. These units must be anchored securely to walls and/or floors with appropriate fasteners. **WARNING: Failure to properly anchor can cause damage to the unit or to personnel.**

Make sure the Lockers and Lockboxes are plumb and square before anchoring.

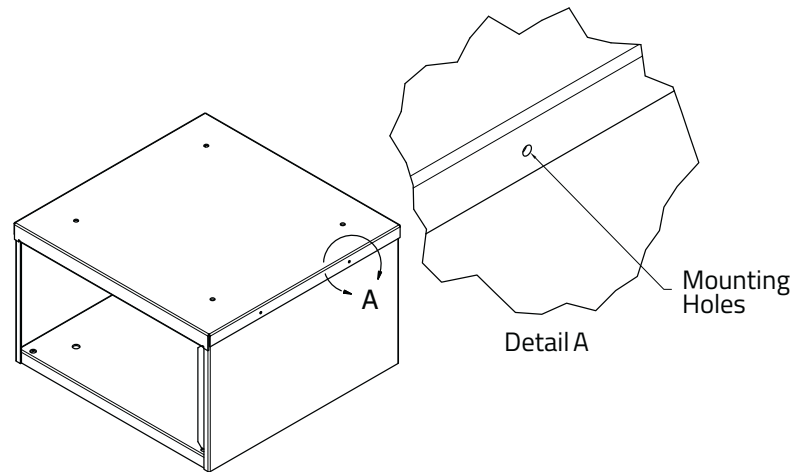
## Attaching Lockers and Lockboxes on Top of Each Other

Locate the four existing holes on the top and bottom of each unit. Use (4) 1/4" x 1-1/4" fasteners to mount units to each other.



## Attaching Lockers and Lockboxes Side-By Side

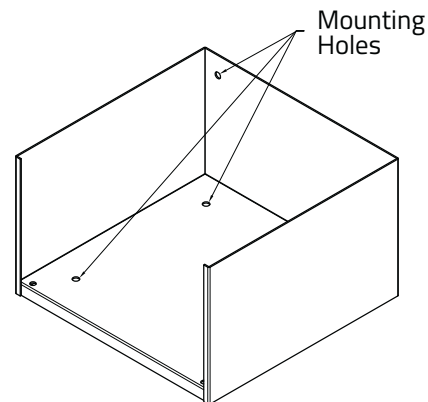
Locate the small holes on each side of the unit. With a 1/4" drill bit, drill thru the locker at these locations. Use (2) 1/4" x 3/4" fasteners per side to mount units together.



Locker shown without door for clarity

## Attaching Lockers and Lockboxes on Surfaces and Walls

Mounting locations are on the back and bottom of the units. Mounting patterns will vary between units. Mounting holes are 3/8" diameter. Choose appropriate fasteners for existing base material or wall material.



Locker shown without door or top for clarity