

# TUFLOC

## INSTALLATION INSTRUCTIONS

2021 (or newer) Chevy Tahoe PPV SUV Base



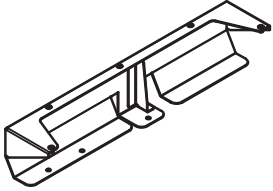
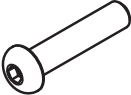



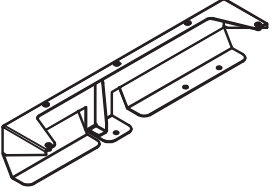




---

### Warranty

Thank you for purchasing the TufBox manufactured by TUFLOC. We have worked hard to develop the best storage box on the market and warrant this product for one year from date of purchase against defects in materials and workmanship. This warranty is limited to replacement or repair of the product only. No other warranties are expressed or implied. Please contact the factory for warranty claims before returning any product.

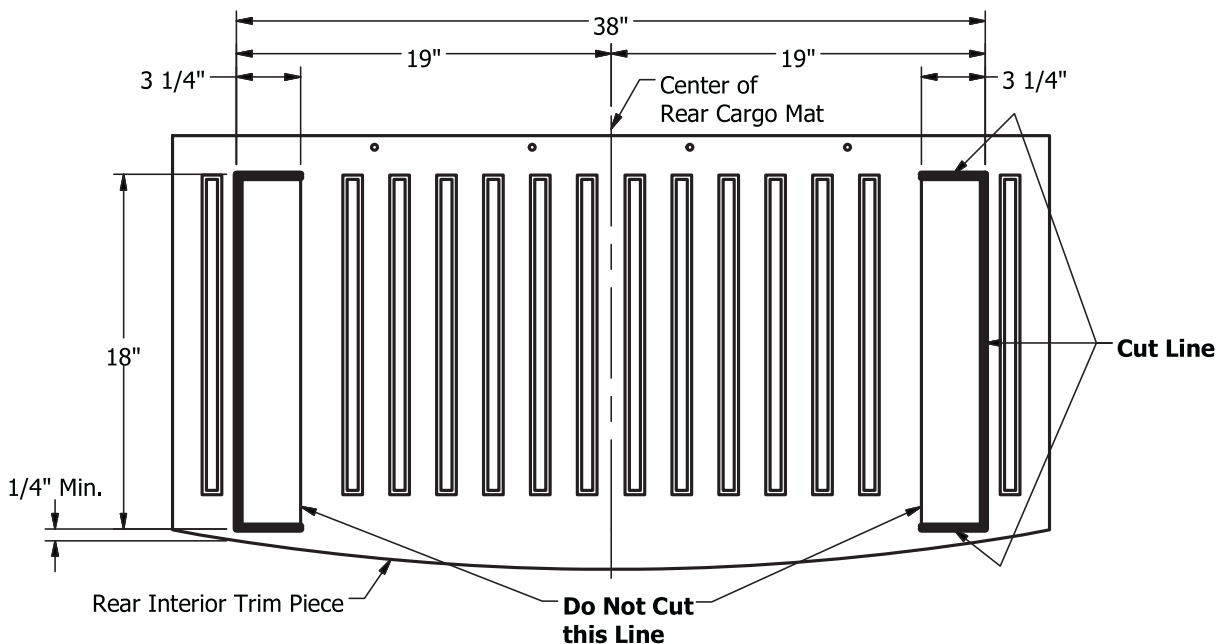
## Base Kit Components

## Hardware (Supplied)

 <p>Base (Qty 1) (Left Hand Side)</p>	 <p>3/8-16 x 1 3/4 Button Head Cap Screw (Qty 6)</p>	 <p>1/4" I.D. Split Lock Washer (Qty 10)</p>	 <p>1/4" x 3/4" Fender Washer (Qty 10)</p>	 <p>3/8" x 1 1/4" Fender Washer (Qty 6)</p>
 <p>Base (Qty 1) (Right Hand Side)</p>	 <p>1/4-20 x 5/8 Hex. Head Bolt (Qty 10)</p>	 <p>3/8" I.D. Spring Lock Washer (Qty 6)</p>	 <p>3/8" I.D. Flat Washer (Qty 6)</p>	 <p>3/8-16 Hex. Nut (Qty 6)</p>

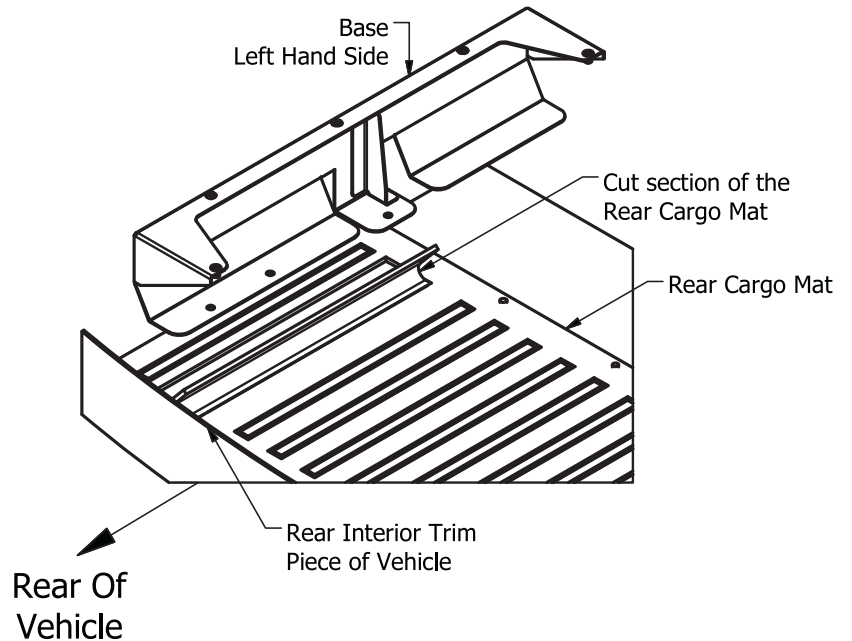
## Step 1 - Prior to Installation

- This base is designed for the 2021, or newer, Chevy Tahoe PPV SUV, and the following instructions are for installation in this vehicle only.
- The Base is designed to be used with the 28" deep TufBox (Part Number 36-011) so it can be mounted to the receiving nuts on the Base. There are (10) 5/8" Hex. Head Bolts, 1/4" I.D. Split Lock Washers and 3/4" O.D. Fender Washers that have been supplied to attach the Cabinet of the TufBox to the Base (See Tufbox Instructions) once the base has been installed.
- The Rear Cargo Mat will need to be cut for the Base to be mounted. Use the diagram below, measure and cut as shown.
- Once all the cuts have been made, be sure that the Rear Cargo Mat can be peeled inward on each side from its original location. (See diagram below).



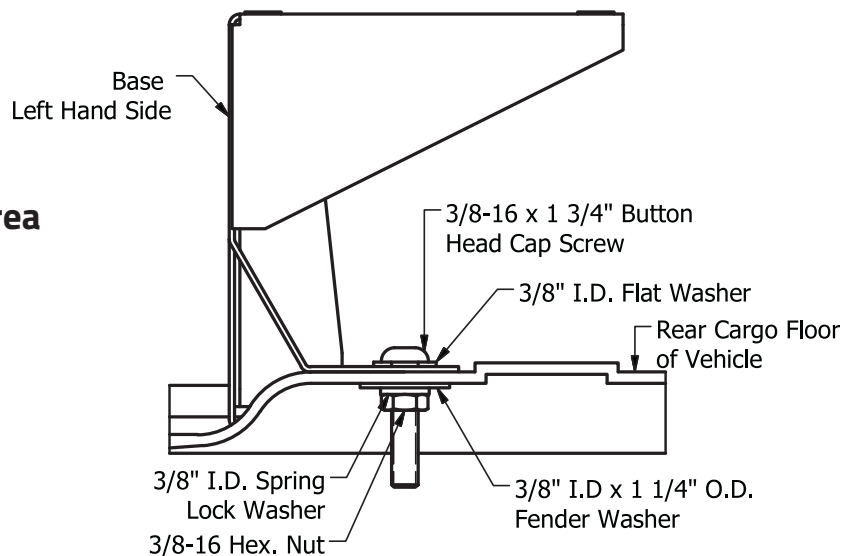
## Step 2 – Base Installation

- Peel back the cut section of the Rear Cargo Mat and place a Base section into each of the cut areas. The Base section for each side will have the mounting holes pointing towards the rear of the vehicle. (See Detail at Right)
- The front side of the Base half (the side with the holes) will sit on the raised area of the flooring while the center of each Base half will sit on the rear cargo floor itself.
- Prior to drilling make sure while the base halves are in the cut sections that the outside dimension of the base measures 38" to ensure a proper fit for the Tufbox Cabinet.
- Once you have located each side of the Base, you will want to mark all 3 locations on each Base half using the base half as a template.
- Remove the Base halves and use a 3/8" drill bit and drill thru each hole location. Be sure while drilling that there are no interferences under the vehicle that you may encounter.
- Repeat this operation for the other Base half.



## Step 3 – Secure Base to Rear Cargo Area

- Place each Base half back into the Rear Cargo area and use the Hardware Kit provided and secure to the vehicle. (See detail at Right)
- Once both sides have been mounted to the vehicle, you may need to trim the rear cargo mat where each Base half interferes with the Rear Cargo Mat.



Mounting Detail  
(Left side shown without Rear Cargo Mat for clarity)