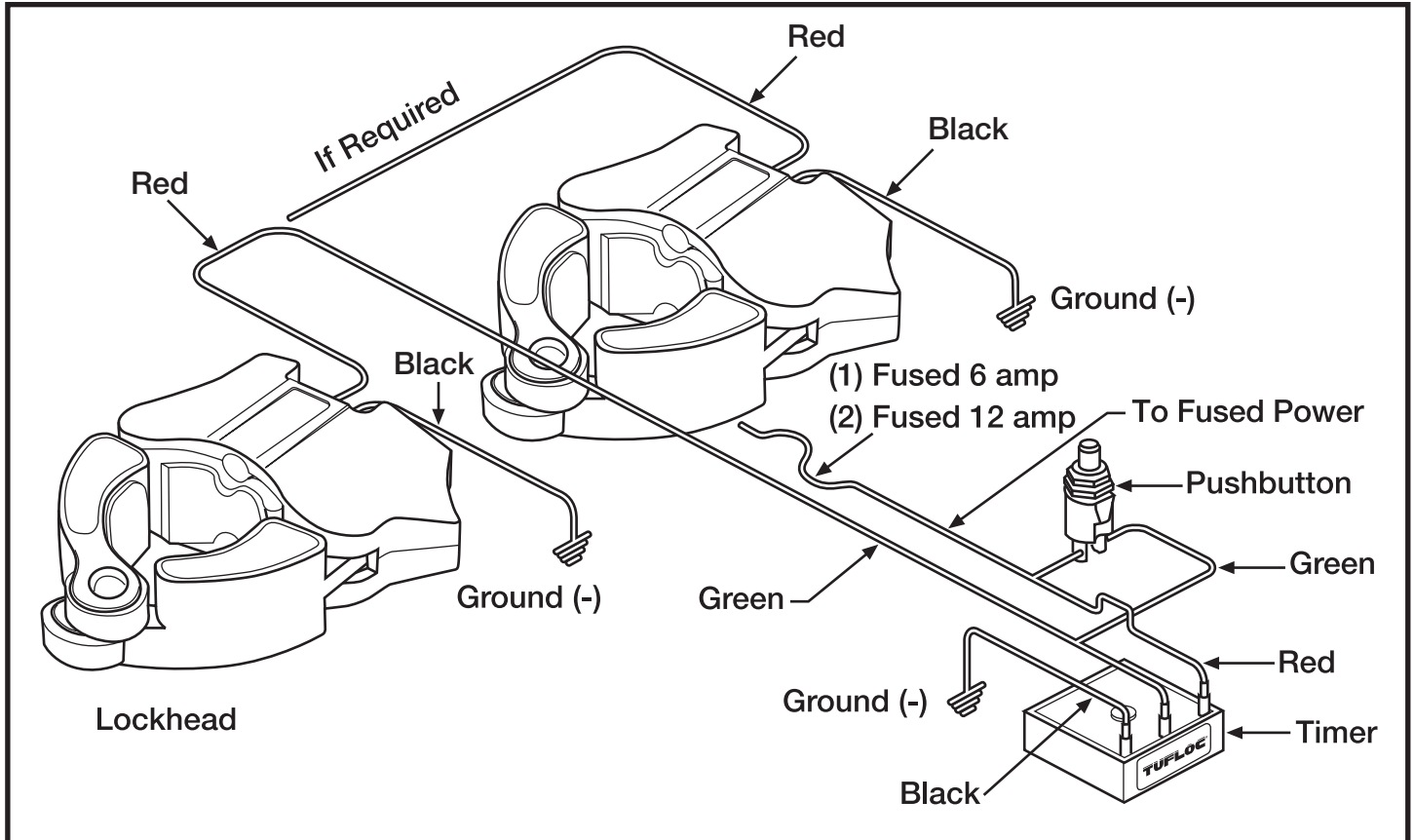


TUFLOC

INSTALLATION INSTRUCTIONS

Electrical with Timer - X-Lock Lockhead



INSTALLATION REQUIREMENTS:

- The Lockhead can be wired to operate with the ignition switch or can be wired directly to the battery.
- The Lockhead is designed to operate on a 12-Volt DC dedicated power source.
- A single Lockhead requires a fused 6 amp max power supply. Dual Lockhead systems, require a fused 12 amp max power supply.
- A clean ground must be established for proper circuit function. The weapon rack is not a proper ground.
- The pushbutton should be installed in a 1/2" diameter hole. A discrete, easily accessible location is recommended.
- If you desire to connect your Lockhead to a 120-Volt AC power, you must convert the 120-Volt AC to 12 Volt DC. You may want to consult your local electrician to configure the equipment and to ensure that you have the necessary installation for proper wiring.

CAUTION:



- The supplied pushbutton must be installed as shown. This protects the circuit, timer and Lockhead from permanent damage. A rocker switch or continuous "ON" switch is never to be used.
- Post the red "PREVENT ACCIDENTAL DISCHARGE" label in a highly visible location.