

# TUFLOC

## INSTALLATION INSTRUCTIONS

2021 (or newer) Chevy Tahoe PPV SUV TufBox



---

### Warranty

Thank you for purchasing the TufBox manufactured by TUFLOC. We have worked hard to develop the best storage box on the market and warrant this product for one year from date of purchase against defects in materials and workmanship. This warranty is limited to replacement or repair of the product only. No other warranties are expressed or implied. Please contact the factory for warranty claims before returning any product.

## Prior to Installation

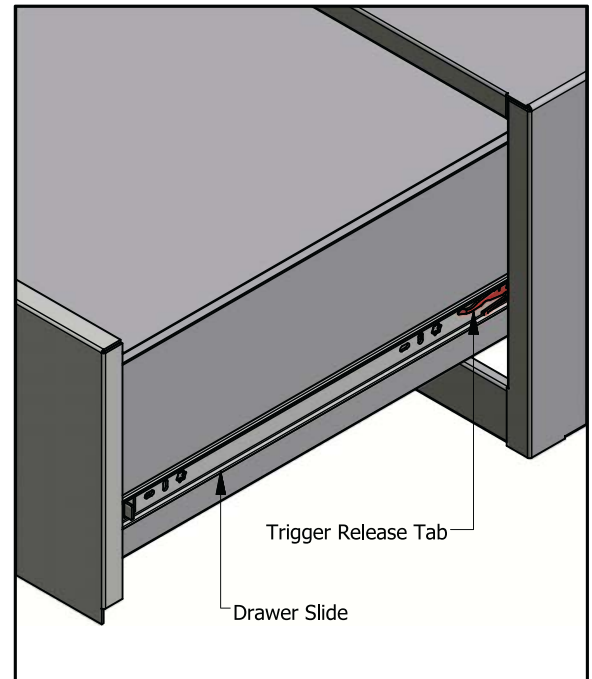
**Note:** This TufBox (part # 36-011) is intended to be used with the TufBox Base (part # 36-302) in the 2021, or newer, Chevy PPV SUV. If Mounting to TufBox Base (part # 36-302) follow Base Instructions first before installing the TufBox (part # 36-011).

- If mounting the TufBox to the vehicle floor skip Step 2.

**Note:** It may be helpful to have two people during the installation of the Tufbox.

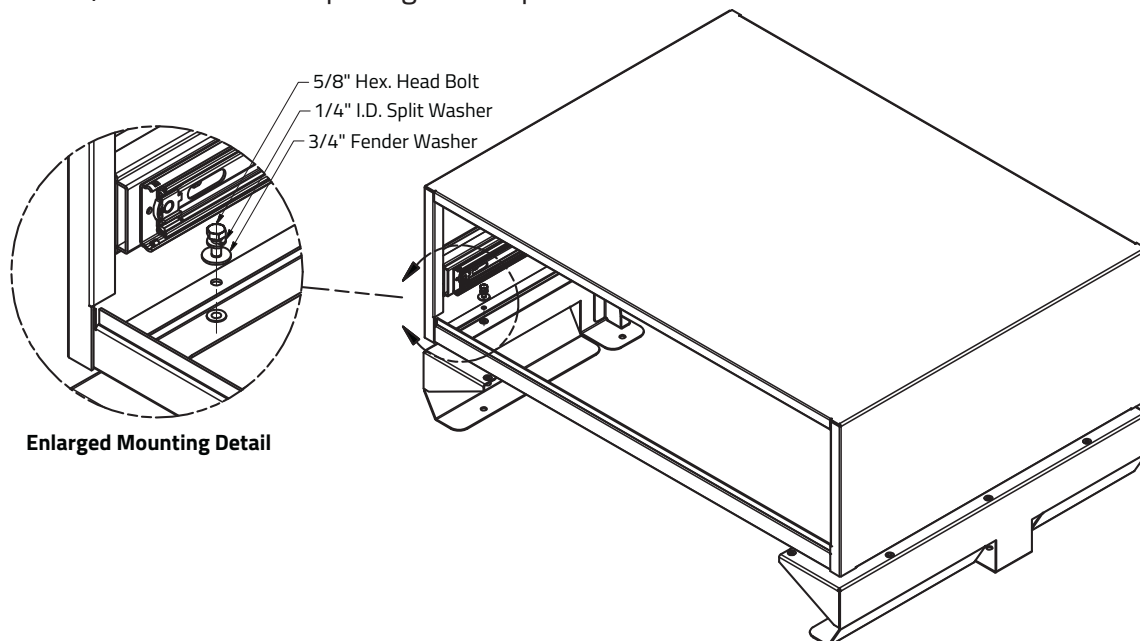
### 1. Remove Drawer from Cabinet

- Fully extend the drawer until the Red Trigger Release Tab is exposed on each side of the drawer.
- Push DOWN on the right-side Trigger Release Tab and push UP on the left-side Trigger Release Tab. Once the Tabs are released from each side, pull the drawer away from cabinet. See detail at right.



### 2. Secure TufBox to Base

- Place Cabinet on top of the Base and Install (3) 5/8" long Hex. Head Bolts, 1/4" I.D. Split Washers and 3/4" Fender Washers (included with 36-302 Base) on each side inside of the Cabinet in the pre-drilled holes and tighten. (See detail below) After this is complete go to Step 4.

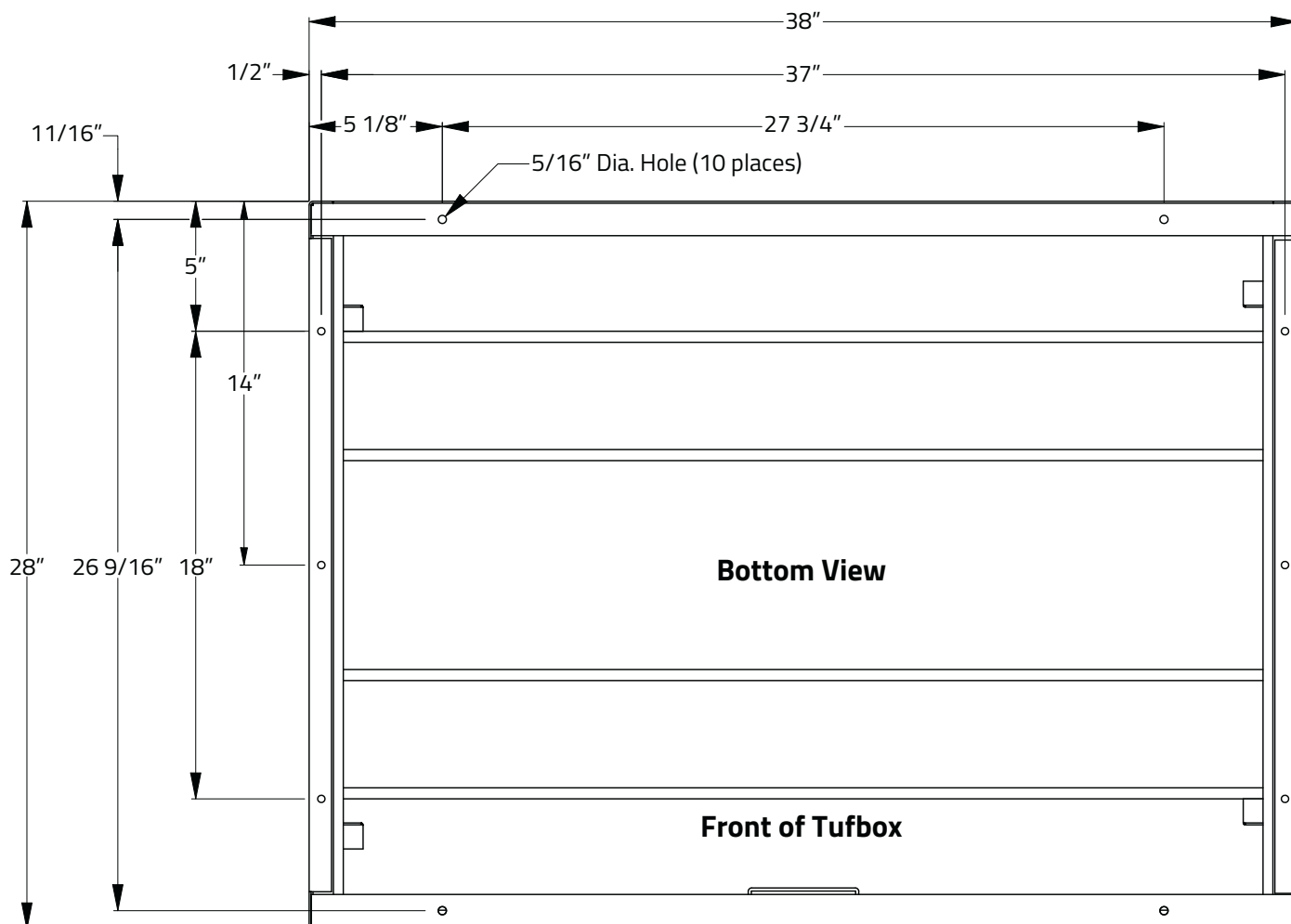


### 3. Secure TufBox to Vehicle floor (without Base)

**Note:** There is no hardware kit included with this product. If the TufBox is mounted to the floor of the vehicle it will be up to the installer to determine the necessary fasteners required to secure the TufBox to the floor of the vehicle.

- Place the Cabinet in the vehicle and determine the best mounting location. Make sure the rear door of the vehicle will close properly.
- Use the mounting bolt pattern shown below as a guideline for locations. To avoid damage to carpeted interior, place masking tape on the carpet under the holes and use a pen to mark the masking tape. If the pre-drilled holes conflict with the vehicle's gas tank, electrical wiring, hoses, etc., the front and rear cabinet frame can be re-drilled to suit.
- It is not recommended that you drill through the carpet as the drill bit may snag and tear the carpet. You may wish to center punch the locations (through the carpet) then lift the carpet for drilling. Once the hole locations are selected, drill 5/16" holes.

#### Mounting Bolt Pattern



#### 4. Place Drawer into Cabinet

- Push cabinet slides into the cabinet, making sure the ball bearing casing on each side is pulled all the way back towards the installer. Align the drawer and cabinet slides and push the drawer into the cabinet until the slides click into place and the bearings are fully engaged.

#### Maintenance

- These drawers are intended to hold a maximum weight of 200 lbs. Do not exceed the drawer weight limit. Exceeding the weight limit can make the drawer difficult to operate and can shorten the life of the bearings in the drawer slides.
- The TufBox is designed to provide years of reliable service with minimal maintenance. Occasionally, coat the key with a light petroleum-based lubricant such as WD-40 and insert the key into the lock & turn a few times to lubricate the lock cylinder. **Never use a graphite-based oil.** The drawer slides should also be lubricated periodically to assure longer life.

#### Lock Configurations

- Standard T-Handle: An adjustable cam can be adjusted to keep the drawer tight and eliminate rattle. (See diagram below).
- Combination Lock: Please refer to enclosed instruction booklet.

### Lock Configurations

